

(8) 異常狀況之處理

使用中發現異常狀況時，請截斷電源，並聯絡代理商進行檢查或維修。

狀況	原因	處理方法
水不熱, 溫度顯示器不亮	1. 電源開關異常 2. 內部電線異常 3. 發熱芯或恆溫掣燒毀	● 找合資格的技術人員檢查或修理 ● 更換發熱芯或恆溫掣
水溫太低	1. 恆溫掣在低溫度 2. 熱水器功率不夠	● 調高溫度 ● 諮詢代理商或找合資格的技術人員檢查
機身漏水	1. 儲水內膽漏水	● 找合資格的技術人員檢查或修理
水流量減弱或無出水	1. 水管淤塞 2. 水壓不足	● 清理水管

(9) 產品規格

型號	GT-WHT-CT23L
容量	23公升
額定功率	3千瓦
額定電壓	220伏特~ 50赫茲
最高溫度	75°C
重量 (淨重)	13千克
重量 (連水重)	36千克
產品體積	
深	310毫米
闊	310毫米
高	685毫米
限溫掣	85°C
防真空裝置	內置
出入水喉管	1/2"

備註:

入水要求: 自來水或水箱供應

額定壓力: 1,000 kPa (10 bar)

入水壓力: 超過700kPa (7 bar)或以上, 用戶必須要加裝減壓

閥, 否則不在保修範圍以內!

防水等級為IPX1

*規格如有更改, 恕不另行通知

中英文版本如有出入, 一概以中文版為準

操作及安裝說明書, 以www.energytrading.com.hk 網上版本為準

(10) 維修及保養

- 機身和零件保用一年 (受條款限制)*
- 內膽保用十年 (受條款限制)*
- 規格: 符合香港機電工程署電氣產品 (安全) 條例

*於所述期間內所列零件可享有免費保修, 貴客需承擔維修之上門及裝卸產品等費用, 詳情請致電本公司客戶服務部查詢。

客戶服務部熱線: 2667 6662

 **GENERAL TECH 名將牌**

全新系列安全電熱水器

The All New Safety Electric Water Heater

中央式電熱水器

Unvented Type

Electric Water Heater

GT-WHT-CT23L

操作及安裝說明書

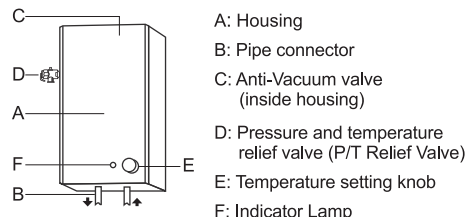
Operating and Installation Instructions

Introduction

Thanks for choosing **GENERAL TECH** Unvented Type Electric Water Heater

- Before you use the appliance, read these Operating and Installation instructions carefully!
- The appliance can be heated up and store water up to 75°C to meet your requirements.
- You can also have cold water from the mixer tap at any time.
- This water heater must be installed (both aquatic and electrical installation), commissioned and serviced by an authorized person in accordance with the local rules and regulations.
- Installation must be completed with supplied accessories and follow these instructions. If you need refit, contact the registered electrical contractor and a licensed plumber for service.

(1) Composition of the Unit



(2) Installation Requirements

2a. Electrical Connection

- Stationary appliances not fitted with means for disconnection from the supply mains having a contact separation in all poles that provide full disconnection under overvoltage category III, the instructions state that means for disconnection must be incorporated in the fixed wiring in accordance with the wiring rules.
- Wiring of this appliance must conform to IEC wiring regulations.
- Power switch with a light indicator is recommended.
- Must install separate power switch outside bathroom with appropriate miniature circuit breaker (M.C.B.) and effective grounding.
- Release the set of screws at bottom and remove the bottom cover.
- Lead the power wire through the wire hole at the bottom of back cover (refer to (3) Wiring diagram).
- Use the wire clamp to fix the wire in position.
- Connect the wiring to earth and on power terminals as shown in the wiring diagram.
- Refix the bottom cover in position.
- Connect to an individual 220V AC power supply only.
- The appliance must be connected to a power supply with a 20A cooker switch.

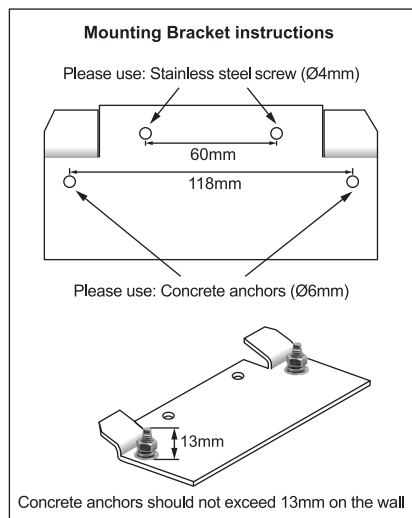
- Do not connect the appliance to the power socket until it is mounted on the wall and filled with water.
- Use wire with cross-sectional area 2.5mm² or more.
- Power must be switched off before maintenance or cleaning inner tank.

2b. Installation of connecting pipe and P/T Relief Valve

- Tighten and connect a drain pipe (not supplied by manufacturer) to the pressure and temperature relief valve.
- The drain pipe must be in a continuous downward direction, outlet closely and toward the floor (at least 100 mm apart), or lay on the floor with 100:1 tilt to the drainage.

2c. Wall mounting and water supply

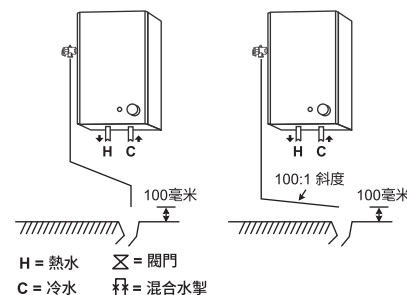
- Please use 2 pieces of Ø6mm bolt screws and Ø6mm concrete anchors and Ø4mm stainless steel screws each 2 pieces.



- Make sure to mount the appliance vertically and the wall is flat.
- When replacing an existing appliance, check whether the existing boreholes can be reused.
- Fix the mixer and pipe connector on wall.
- Mount the water heater on wall, screw the connecting pipes to the heater and the pipe connector.
- Diameter of supply water connection is 1/2" BSP. Make sure there is no water leaking at the joints, turn on hot water valve to fill up the inner tank until water flows out.

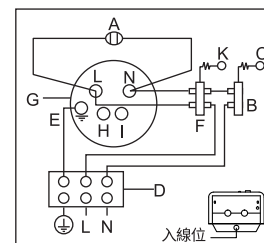
2d. Pre-installation Notice

- Installation and repair should be carried out by a qualified technician.
- Supplied parts should be used. Failing that, Energy Trading Co. Ltd. is not responsible for consequences or damages caused.

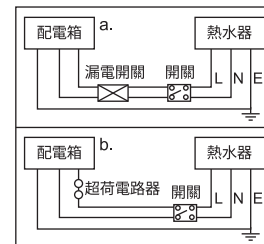


(3) 配線圖

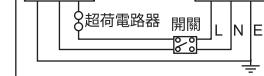
- A: 指示燈
B: 恆溫掣
C: 溫度感應頭
D: 接線座
E: 接地線
F: 超溫斷路器
G: 發熱芯
H: 超溫感應孔
I: 溫度感應孔
K: 超溫感應頭



a. 配有漏電斷路之接線方法



b. 配有超荷斷路之接線方法



(4) 使用方法

- 確定此熱水器在正常狀態及正確位置，並把電源掣關上。
- 旋開熱水掣直至冷水及氣泡從出水口排出約1分鐘，然後關掉水掣 (此程序只適用於首次安裝或維修後)。
- 接通電源，調校溫度旋鈕，此時指示燈亮起。
- 當水加熱至預設溫度時，指示燈熄滅。
- 此時，熱水器已準備好運作，首先開啟冷水掣，然後慢慢開啟熱水掣，調校至適合水溫淋浴。

水溫調校

- 本熱水器的最高溫度為75°C，帶有自動恆溫功能。

(5) 注意事項

- 當熱水器加熱時，泄壓導管可能有少量滴水，此乃正常情況。
- 在加熱或開水時，如有大量水和氣體排放，則可能有如下配件失效：
A. 壓力及溫度感應排放閘損壞
B. 供水水壓過大
C. 恆溫掣損壞
如以上情況發生：
1. 把電源關掉
2. 關上供水掣
3. 通知代理商檢查或維修

(6) 使用者指南

- 本產品不能供以下人士使用(包括兒童)
A. 缺少物理知覺或精神能力，或缺乏經驗和知識，除非已給他們正確指示和監督。
B. 缺少物理知覺或者精神能力的人及兒童，須由監護人指導下使用這熱水器，及對他們的安全負責。
C. 為避免燙傷意外發生，未加入冷水時，請勿直接將花灑頭對向人體，必須確保出水溫度合適後方能使用。

(7) 注意事項

於使用及安裝此熱水器前，請閣下閱讀以下注意事項。

- 在以下任何情況下：
1. 當第一次安裝進水時
2. 曾經出現停水
3. 熱水器內只排水、沒有進水時
為確保爐內注滿水，用戶須旋開熱水掣直至水及氣泡從出水口排出約1分鐘。
- 必須定期清理壓力及溫度感應排放閘內積聚之沉澱物，以免排氣口受到阻擋。
- 根據當地電工條例及當地法例，需接駁最少一款如下：
- 適合之自動斷路掣
- 適合之漏電斷路掣
- 熱水器安裝必須安全穩固，電、出入水、泄壓導管等之接駁必須無誤，並保持暢通。
- 不可把衣物或雜物放在熱水器上。
- 使用後請擦乾機體外殼，切勿使用強酸或強鹼或含腐蝕性之清潔劑清洗。
- 切勿自行修理或更換零件，否則可能構成危險。任何維修及保養，必先關上電源。並由合資格的技術人員進行。
- 如發現損壞，請即截斷電源，並通知合資格的技術人員進行檢查及維修。
- 不可灑任何液體於熱水器，如發生，請立即關掉電源及通知代理商檢查。
- 經常檢查電源線，如電源線損壞，需由授權人士更換。
- 不能與其他家電設備與熱水器共用同一電源。
- 如熱水器發生故障，切勿自行修理或更換零件，應聯絡以下公司：
- 授權維修中心
- 經銷商
- 如熱水器在長時間內停用時，建議把電源斷開，恢復使用時先進行檢查，打開熱水掣，確保水箱內有水後才可通電。
- 不可使用不合格及未達標準之配件，例如，未被認可之混合水掣、配件等。
- 電力開關須使用符合國家標準的雙極電源開關掣，並且該掣必須裝置於浴室之外。

警告：本產品須置於兒童不可接觸的地方，並須良好接地，切勿自行安裝或改裝。

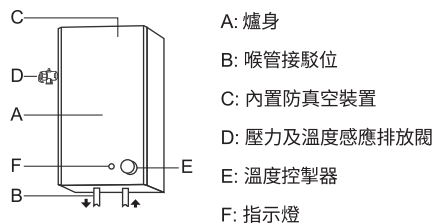
- 此電熱水器只可安裝特定之配件，請勿接駁非製造商建議的配件。
- 為避免燙傷意外，在未開冷水之前，請勿將花灑頭對向人體，必先確保出水溫度合適方能使用，使用後，先將出水花灑頭移開人體再關閉混合水掣，並將混合水掣手柄旋向冷水方向才按下關水。
- 如果需要排清熱水器內的水，必須使用工具打開排水塞。

說明書簡介

謝謝閣下選購 **GENERAL TECH** 名牌系列中央式電熱水器。

- 使用此產品前，請先閱讀本操作及安裝說明書。
- 此熱水器能按照閣下要求，令爐內冷水加熱至75°C。
- 任何時間也可在混合水掣提取冷水。
- 此熱水器需由認可人士根據當地安裝條例及以下說明書安裝方法(包括水管及電線接駁)、保養及維修。
- 安裝熱水器需使用原裝之配件，如需改裝，請由註冊電業承辦商及持牌水喉匠進行。

(1) 各部名稱



(2) 安裝原則

2a. 電源接駁

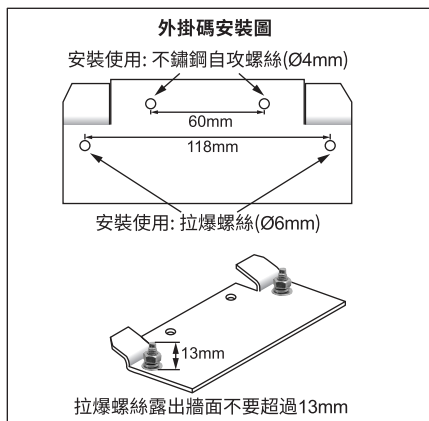
- 固定式器具未配備與電源斷開連接的裝置，在所有極點上均具有觸點隔離，且在過壓類別III下提供了完全斷開的功能，說明中指出，必須根據接線規則將斷開裝置納入固定佈線中。
- 於浴室內安裝本電熱水器時，必須遵照IEC之有關電線安裝條例規格接駁。
- 電源開關應採用有顯示燈類型。
- 必須裝置獨立電源開關掣(放浴室外)，自動斷路保險掣及有效接地。
- 先把熱水器之底蓋打開(扭開螺絲釘)。
- 先把電線穿過底蓋之入線位，引入電熱水器內(參閱(3)配線圖)。
- 用電線夾把引入之電線固定。
- 並按配線圖指示接駁電線及地線。
- 把爐底蓋重新安裝妥當。
- 只可接駁一處220V的交流電源。
- 產品需接駁合格20安培電力曲突斷路開關掣。
- 熱水器被掛在牆上及裝滿水後才可接駁電源。
- 使用標稱橫截面積 $\geq 2.5\text{mm}^2$ 的固定電線。
- 用戶需要作任何維修或內膽清理前，必先截斷電源。

2b. 喉管與壓力及溫度感應排放閥安裝說明

- 把排水導管(非由供應商提供)接駁及收緊於壓力及溫度感應排放閥接口。
- 排水導管方向應向下，出口至最近之地面排水系統(距離最少100mm)，如需平放，則導管須有最小有100:1之斜度並指向渠口。

2c. 掛牆和供水

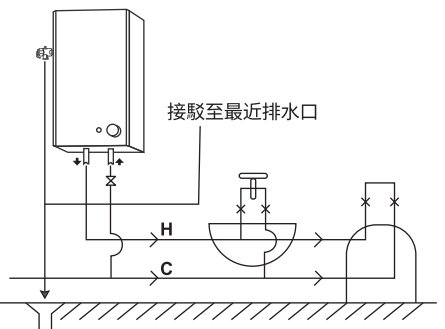
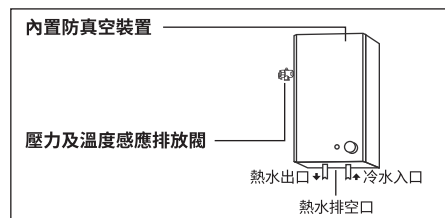
- 安裝時，請使用2個 $\varnothing 6\text{mm}$ 拉爆螺絲及 $\varnothing 6\text{mm}$ 膠塞和 $\varnothing 4\text{mm}$ 不鏽鋼自攻螺絲各2個。



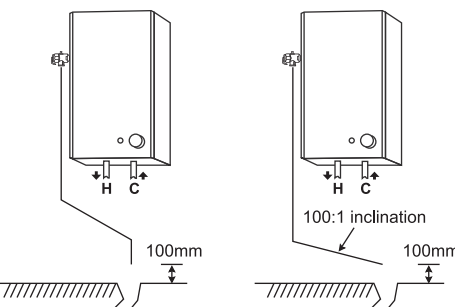
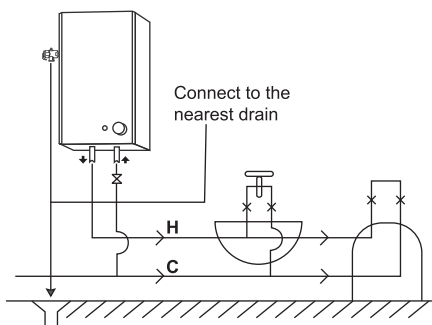
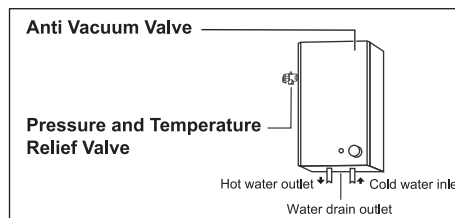
- 確定掛牆時，熱水器是垂直及牆身是平的。
- 當更換電熱水器，請檢查牆孔可否再使用。
- 接駁混合水掣連接於水管上。
- 把熱水器掛在牆上，緊接水管至混合水掣及熱水器。
- 供水管直徑為1/2"，接駁妥當後應先試看連接位置有否漏水，確定沒有漏水後才為熱水器注水，直至花灑頭噴水，即表示內膽已注滿。

2d. 一般事項

- 安裝和維修工作應由合資格的技術人員負責。
- 必須使用原廠配件安裝，若不按指示安裝，或使用非原廠配件而引致任何損失，本公司概不負責。
- 花灑頭插座，應以膨脹螺絲安裝於適當位置上。



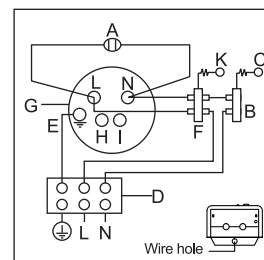
- Shower head holder should be anchored on the wall at appropriate location.



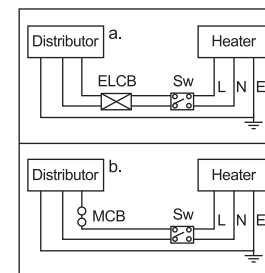
H = hot water X = gate valve
C = cold water M = mixer

(3) Wiring diagram

- A: power lamp
- B: thermostat
- C: temperature sensor
- D: wiring terminal
- E: earthing connection
- F: thermal cutoff sensor
- G: heating element
- H: pocket for thermal cutoff sensor
- I: pocket for thermostat sensor
- K: thermal cut-out sensor



- a. Method for ELCB connection
- b. Method for MCB connection



(4) Operating Instructions

- Turn off the power and ensure the heater installed in good condition and proper location.
- Open the hot water valve until water and air bubble come out through the outlet points, wait 1 minute, before closing the valve (Applicable to the first time installation or after repair).
- Turn on the power and adjust the temperature knob, and the indicator light up.
- Indicator lamp will go off when water reaches the preset temperature and the heater is ready to use.
- Take a comfortable shower bath. Firstly, turn the cold water knob on, cold water will flow through the outlet points. Secondly, open the hot water knob slowly until the mixed water temperature is suitable for your needs.

Water Temperature Settings

- The maximum water temperature setting is 75°C, with automatic thermostatic function.

(5) Caution

- In normal operation, water may drip out from the drain pipe.
- If large amount of water or steam comes out from the pipe, one of the followings may have happened:
 - A. Pressure and temperature relief valve fails
 - B. Excessive water supply pressure
 - C. Thermostat fails.

If above situations happen, follow the below steps:

1. Switch off the power immediately
2. Turn off the water supply valve
3. Call distributor for service

(6) User Guide

- This appliance is not intended for use by person (including children)
 - A. With reduced physical sensory or mental capabilities or lack of experience and knowledge, unless they have been given supervision or instruction.
 - B. Parents or legal guardians are responsible to, and must give proper guide/supervision to children users, and persons with physical or mental incapability.
 - C. You may get hurt if you directly flush your body with water without mixing cold water, make sure to test water temperature before use.

(7) Safety Precautions

The following safety precautions must be taken when installing and using the electric water heater.

- When one of the followings happens :
 1. Water inflow for the first time, or
 2. Water suspension, or
 3. Water outflow only without water inflow
- Turn on hot water valve until water and air bubble come out from the outlet, wait 1 minute, so as to assure the water heater is filled with water.
- To assure the pressure and temperature relief valve functions well, check it regularly, remove lime deposits and make sure the drain pipe is not blocked.
- Subject to local electrical regulations and laws, one of the following may be required:
 - a circuit breaker
 - leak circuit breaker
- Make sure the appliance is installed properly, including power supply, water inlet and outlet, drain pipe...etc.
- Do not place clothing or any other object on the appliance.
- Wipe the appliance after use, do not use aggressive or abrasive detergents.
- Do not attempt to repair the appliance or replace accessories by yourself, only qualified technicians are allowed to repair and carry out maintenance, always switch off the power before any job.
- When there is a fault, disconnect the appliance from the mains immediately, and call qualified technicians for checking and repairing.

(8) Trouble Shooting

Be reminded to switch off the power when problems occurred. Call for service immediately.

Status	Cause	Action
Water cold, temperature display is off	<ol style="list-style-type: none"> 1. Disconnection of main supply 2. Disconnection of internal wiring 3. Burn off of heating element/ thermostat 	<ul style="list-style-type: none"> ● Consult qualified technician for checking or repairing ● Replace the heating element/ thermostat
Very low water temperature	<ol style="list-style-type: none"> 1. Thermostat is set at low temperature 2. Insufficient heating power 	<ul style="list-style-type: none"> ● Adjust to high temperature ● Contact the service centre or consult qualified technician
Dripping	<ol style="list-style-type: none"> 1. Dripping of water tank internally 	<ul style="list-style-type: none"> ● Contact qualified technician
Insufficient or no water out-flow	<ol style="list-style-type: none"> 1. Blockage in pipe 2. Insufficient water pressure 	<ul style="list-style-type: none"> ● Clean inlet or outlet pipe

(9) Specifications

Model	GT-WHT-CT23L
Capacity	23L
Rated Power	3kW
Rated Voltage	220V~ 50Hz
Highest Temperature	75°C
Weight (Net Weight)	13kg
Weight (Operating Weight)	36kg
Dimensions	
Depth	310mm
Width	310mm
Height	685mm
Temperature Limiter	85°C
Anti-Vacuum Valve	Built-in
Pipe Connection	1/2"

Remarks:

Water Supply Source : Main or water tank
 Rated Pressure : 1,000 kPa (10 bar)

Water Supply Pressure: over 700kPa (7 bar) or above, must install with pressure relief valve, otherwise not accepted for maintenance!

Water Proof Rating : IPX1

*All specifications are subject to change without notice
 If there is any inconsistency or ambiguity between the English version and the Chinese version, the Chinese version shall prevail.
 Please refer to www.energytrading.com.hk for latest version of the operating and installation instructions.

(10) Warranty

- One year for the product and parts. (Terms and conditions apply)*
- Ten years for the water tank. (Terms and conditions apply)*
- Conformity: Electrical Product (Safety) Regulation, Hong Kong.

*Parts are free within the warranty period. However, fees and charges may apply, such as our technicians' transportation, removing old parts and installing new parts. Please contact our customer service hotline for details.

Customer Service Hotline: 2667 6662